

4

3

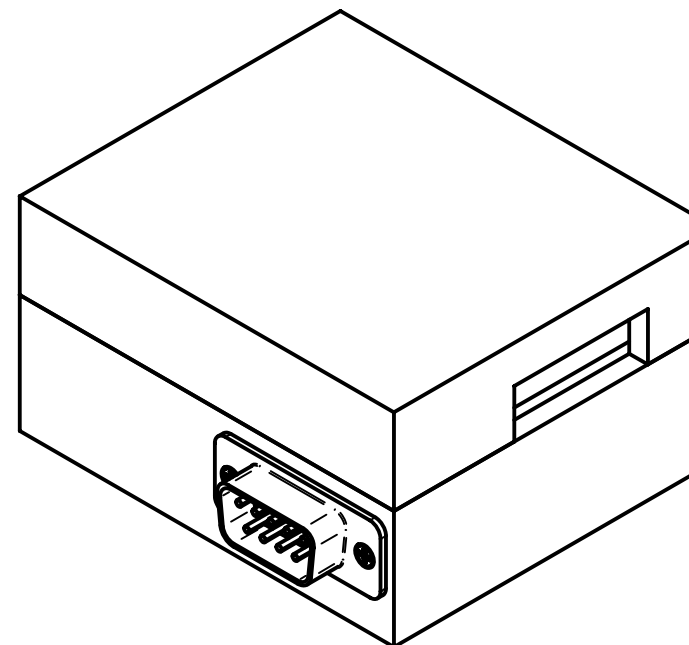
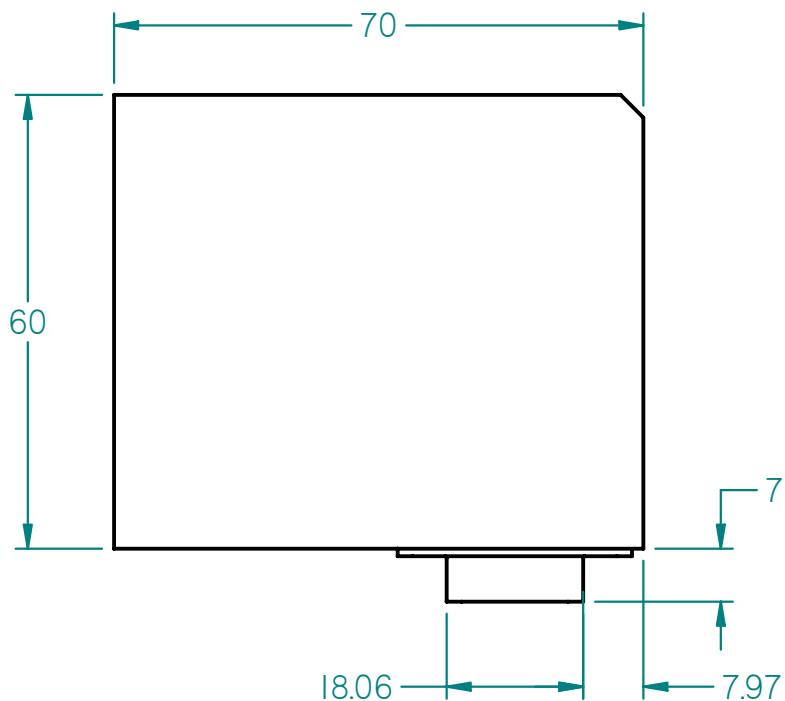
2

1

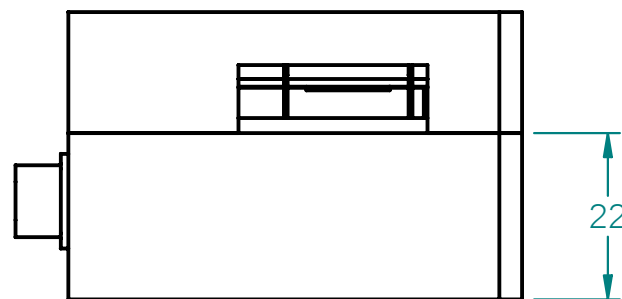
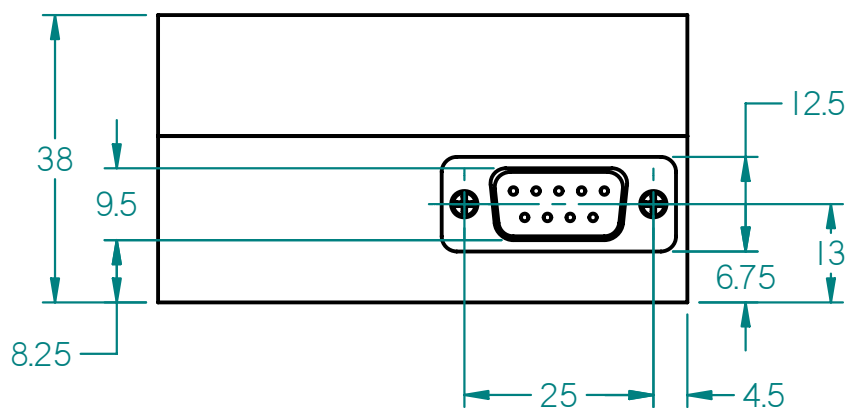
REVISION				
REV	BY	DESCRIPTION	DATE	APPD
000	LJ	ORIGINAL	10/06	

D

C



B



NOTES:
 1. ALL DIMENSIONS ARE IN MILLIMETERS
 2. DIMENSIONING PER ANSI Y14.5M-1994

A

MATERIAL SEE INDIVIDUAL PATR	TOLERANCES					DRAWN LJ Liu	DATE 10/06/04	PROJECT/PRODUCT Heater module	TITLE OV50_CD			
	X	.X	.XX	.XXX	ANGLE	DESIGNED LJ Liu	DATE 10/06/04		CAD FILE	SCALE	SIZE	SHEET
FINISH SEE INDIVIDUAL PATR	*0.5	*0.2	*0.10	*0.020	*1°	CHECKED T. Fan	DATE 10/06/04	I:1 A 1 OF 3				
	UNLESS OTHERWISE SPECIFIED, ALL DIMENSIONS IN MILLIMETERS					DESIGN APPD	DATE	PROPRIETARY INFORMATION NOT TO BE RELEASED WITHOUT WRITTEN AUTHORIZATION FROM HCP				
SURFACE ROUGHNESS												



4

3

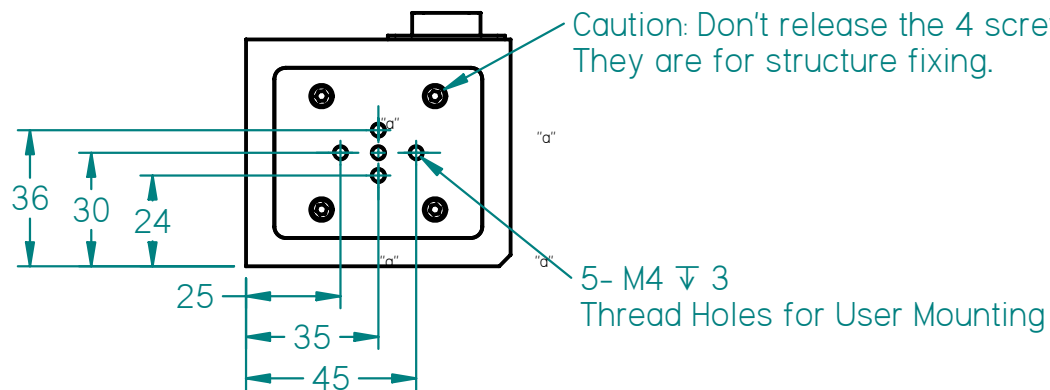
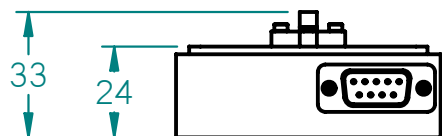
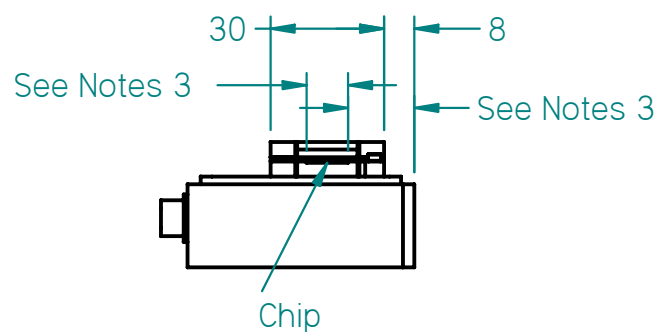
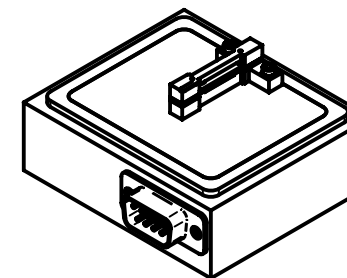
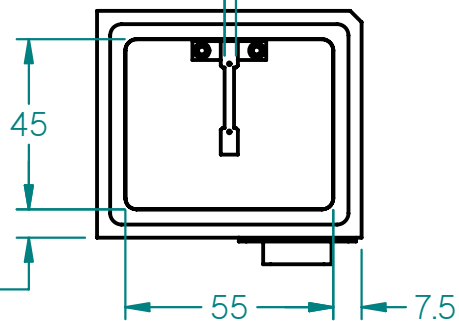
2

1

REVISION				
REV	BY	DESCRIPTION	DATE	APPD
000	LJ	ORIGINAL	10/06	

See Notes 3

See Notes 3



NOTES:

1. ALL DIMENSIONS ARE IN MILLIMETERS
2. DIMENSIONING PER ANSI Y14.5M-1994
3. POSITION MAY VARY BASED ON CHIP SIZE

A

MATERIAL SEE INDIVIDUAL PATR	TOLERANCES					DRAWN LJ Liu DATE 10/06/04	PROJECT/PRODUCT Heater module	TITLE OV50_CD			
	X	.X	.XX	.XXX	ANGLE						
FINISH SEE INDIVIDUAL PATR	±0.5	±0.2	±0.10	±0.020	±1°	CHECKED T. Fan DATE 10/06/04	CAD FILE	SCALE	SIZE	SHEET	DWG NO.
	UNLESS OTHERWISE SPECIFIED, ALL DIMENSIONS IN MILLIMETERS							DESIGN APPD	1:2	A	2 OF 3
SURFACE ROUGHNESS						DATE	PROPRIETARY INFORMATION NOT TO BE RELEASED WITHOUT WRITTEN AUTHORIZATION FROM HCP				

HCP
HC PHOTONICS CORP.

4

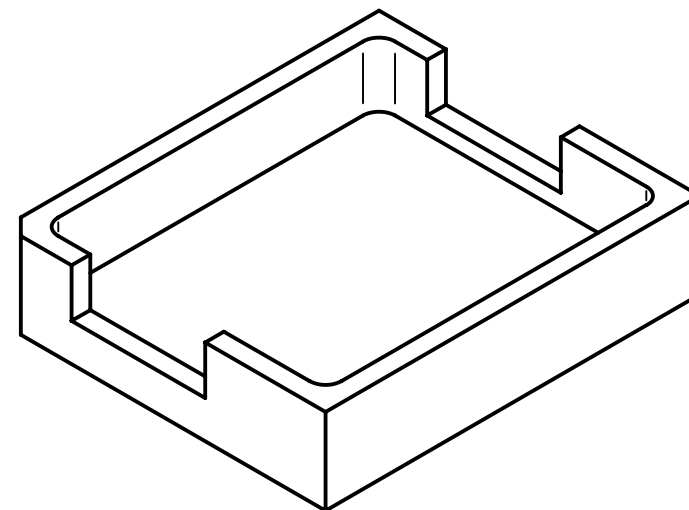
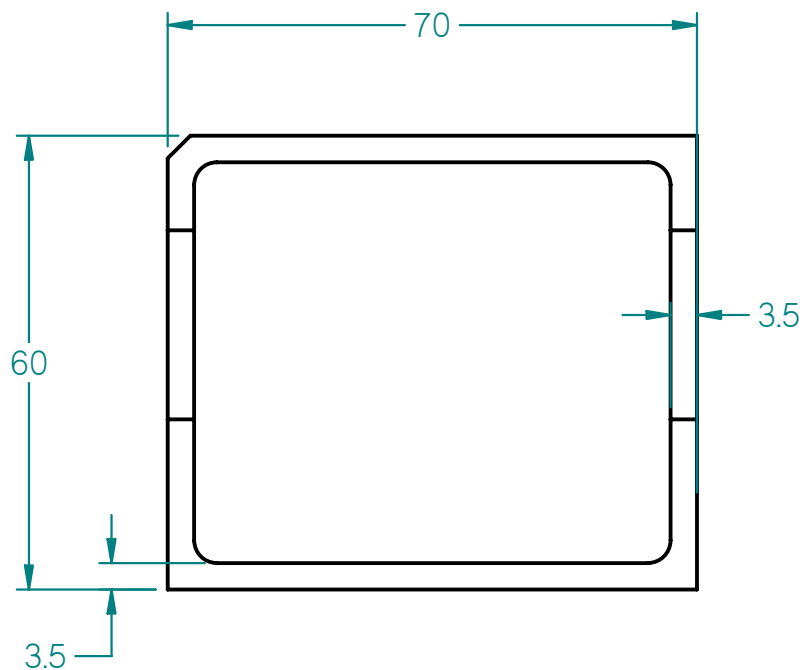
3

2

1

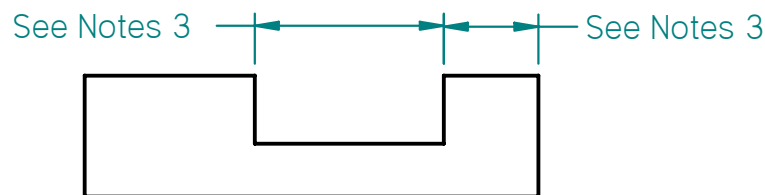
REVISION				
REV	BY	DESCRIPTION	DATE	APPD
000	LJ	ORIGINAL	10/06	

D



C

B



- NOTES:
1. ALL DIMENSIONS ARE IN MILLIMETERS
 2. DIMENSIONING PER ANSI Y14.5M-1994
 3. POSITION MAY VARY BASED ON CHIP SIZE

A

MATERIAL SEE INDIVIDUAL PATR	TOLERANCES					DRAWN LJ Liu	DATE 10/06/04	 HCP HC PHOTONICS CORP.	PROJECT/PRODUCT Heater module	TITLE Cover_0V50_CD			
	X	.X	.XX	.XXX	ANGLE	DESIGNED LJ Liu	DATE 10/06/04			CAD FILE	SCALE 1:1	SIZE A	SHEET 3 OF 3
FINISH SEE INDIVIDUAL PATR	UNLESS OTHERWISE SPECIFIED, ALL DIMENSIONS IN MILLIMETERS					CHECKED T. Fan	DATE 10/06/04	PROPRIETARY INFORMATION NOT TO BE RELEASED WITHOUT WRITTEN AUTHORIZATION FROM HCP					
SURFACE ROUGHNESS						DESIGN APPD	DATE						