

4

3

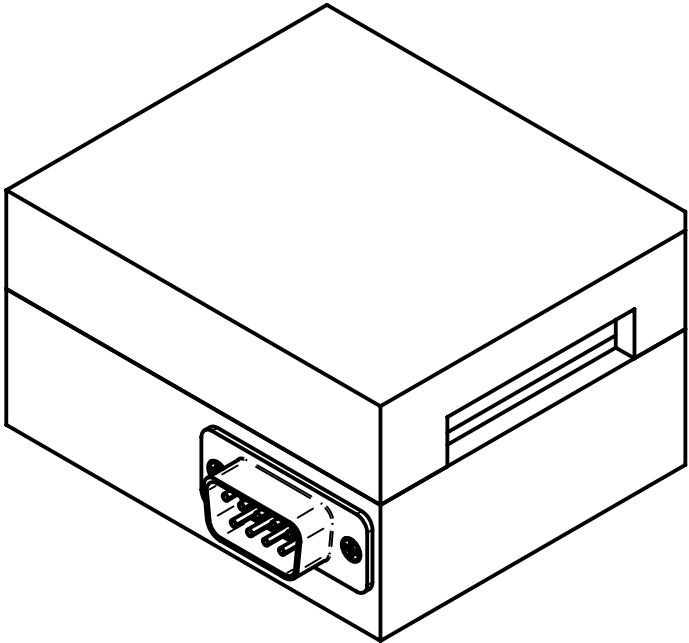
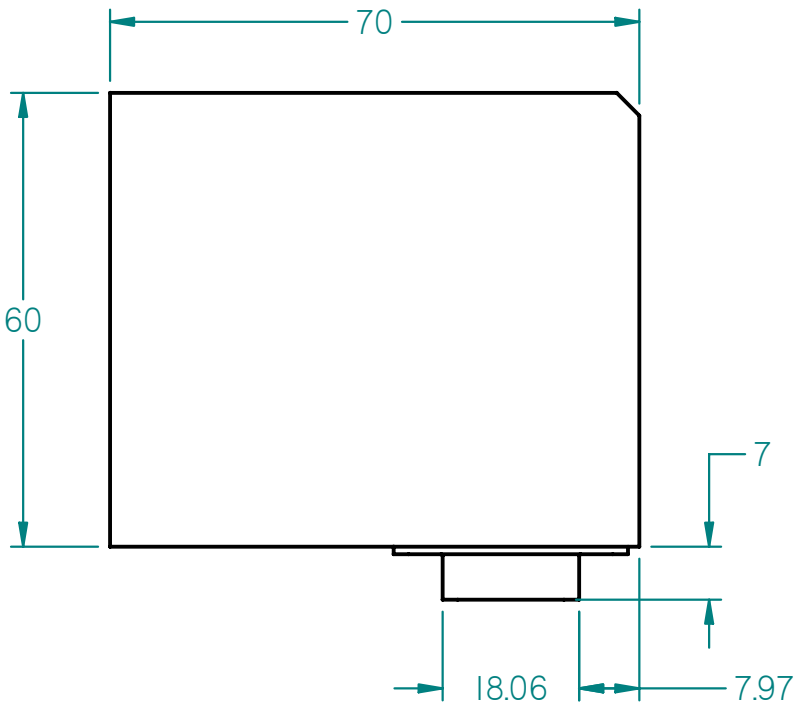
2

1

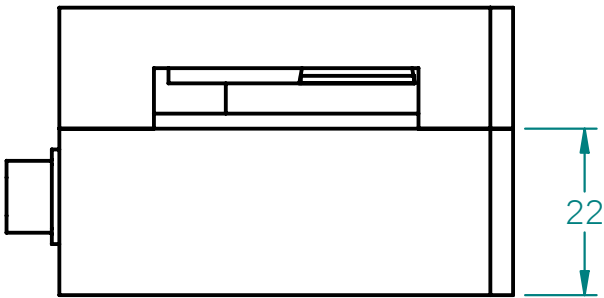
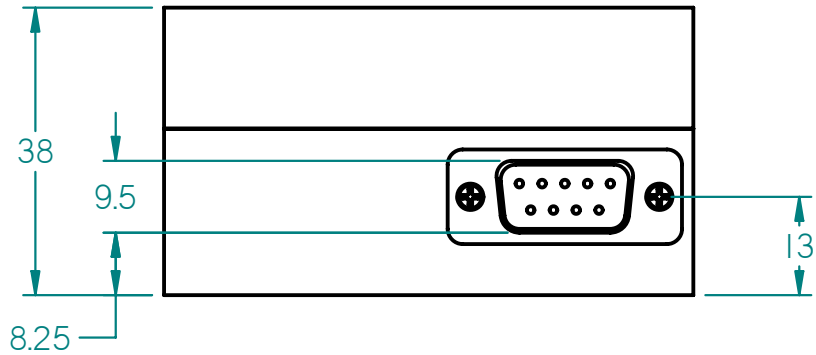
REVISION				
REV	BY	DESCRIPTION	DATE	APPD
000	HC	ORIGINAL	7/01	

D

C



B



NOTES:  
 1. ALL DIMENSIONS ARE IN MILLIMETERS  
 2. DIMENSIONING PER ANSI Y14.5M-1994

A

MATERIAL SEE INDIVIDUAL PATR	TOLERANCES					DRAWN HANS	DATE 7/01/05	PROJECT/PRODUCT Heater module	TITLE OV50			
	X	.X	.XX	.XXX	ANGLE	DESIGNED HANS	DATE 7/01/05		CAD FILE	SCALE	SIZE	SHEET
FINISH SEE INDIVIDUAL PATR	*0.5	*0.2	*0.10	*0.020	*1°	CHECKED T. Fan	DATE 7/01/05	HCP HC PHOTONICS CORP.		I:1	A	1 OF 3
	UNLESS OTHERWISE SPECIFIED, ALL DIMENSIONS IN MILLIMETERS					DESIGN APPD	DATE		PROPRIETARY INFORMATION NOT TO BE RELEASED WITHOUT WRITTEN AUTHORIZATION FROM HCP			
SURFACE ROUGHNESS												

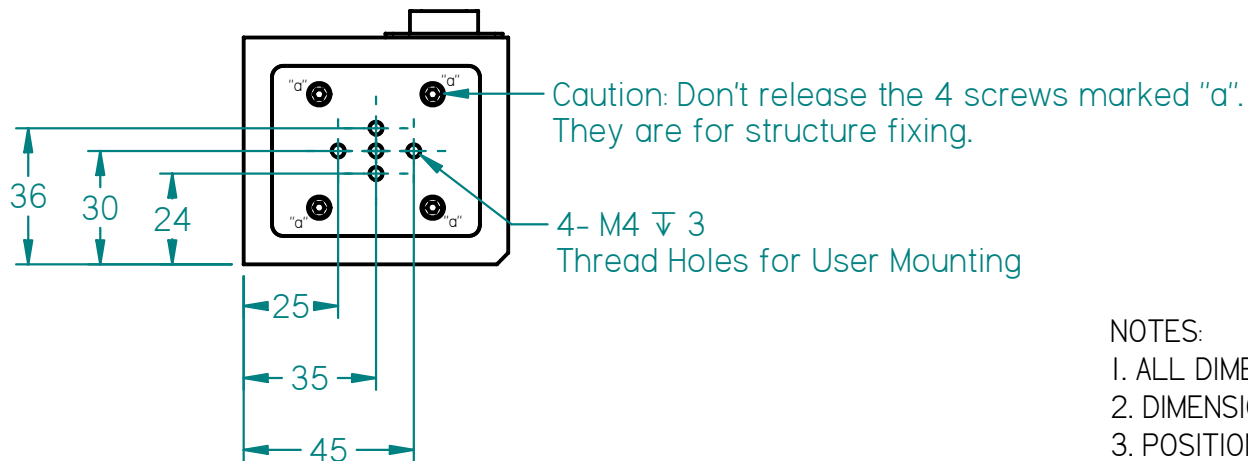
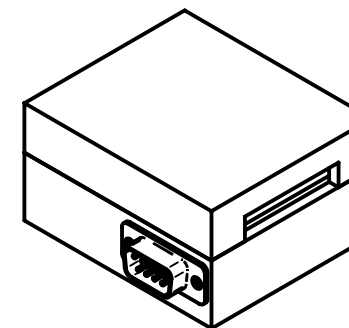
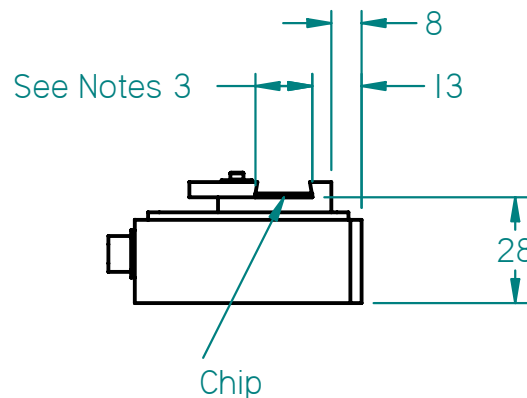
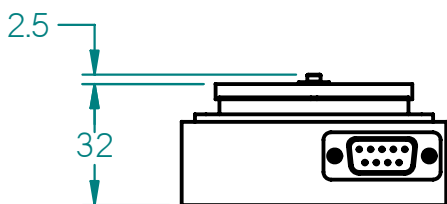
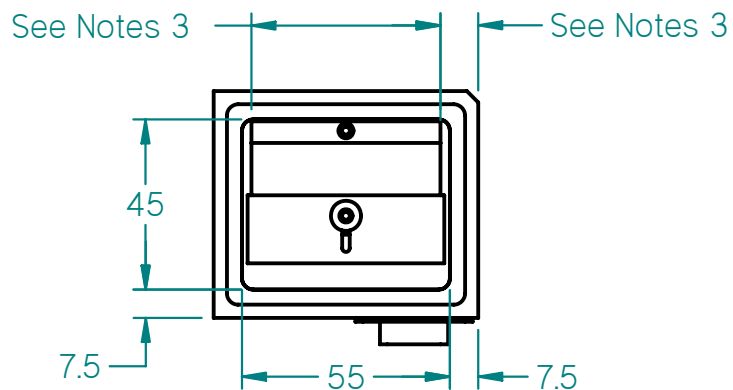
4

3

2

1

REVISION				
REV	BY	DESCRIPTION	DATE	APPD
000	HC	ORIGINAL	7/01	



- NOTES:
1. ALL DIMENSIONS ARE IN MILLIMETERS
  2. DIMENSIONING PER ANSI Y14.5M-1994
  3. POSITION MAY VARY BASED ON CHIP SIZE

MATERIAL SEE INDIVIDUAL PATR	TOLERANCES					DRAWN HANS	DATE 7/01/05	PROJECT/PRODUCT Heater module	TITLE OV50			
	X ±0.5	.X ±0.2	.XX ±0.10	.XXX ±0.020	ANGLE ±1°	DESIGNED HANS	DATE 7/01/05		CAD FILE	SCALE 1:2	SIZE A	SHEET 2 OF 3
FINISH SEE INDIVIDUAL PATR	UNLESS OTHERWISE SPECIFIED, ALL DIMENSIONS IN MILLIMETERS					CHECKED T. Fan	DATE 7/01/05	PROPRIETARY INFORMATION NOT TO BE RELEASED WITHOUT WRITTEN AUTHORIZATION FROM HCP				
SURFACE ROUGHNESS						DESIGN APPD	DATE					

4

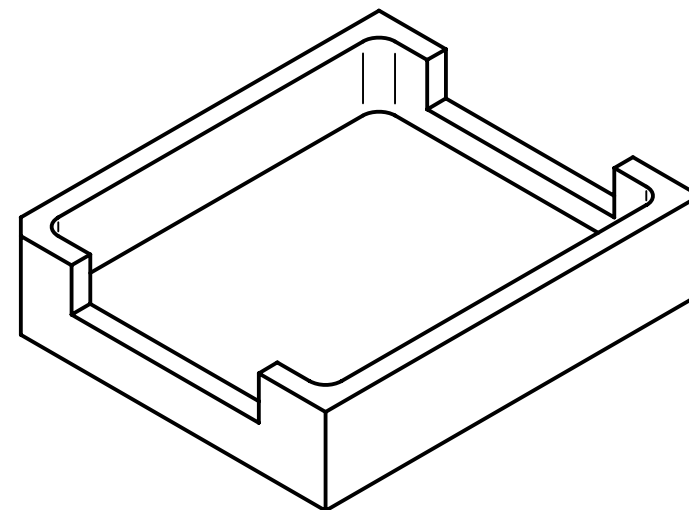
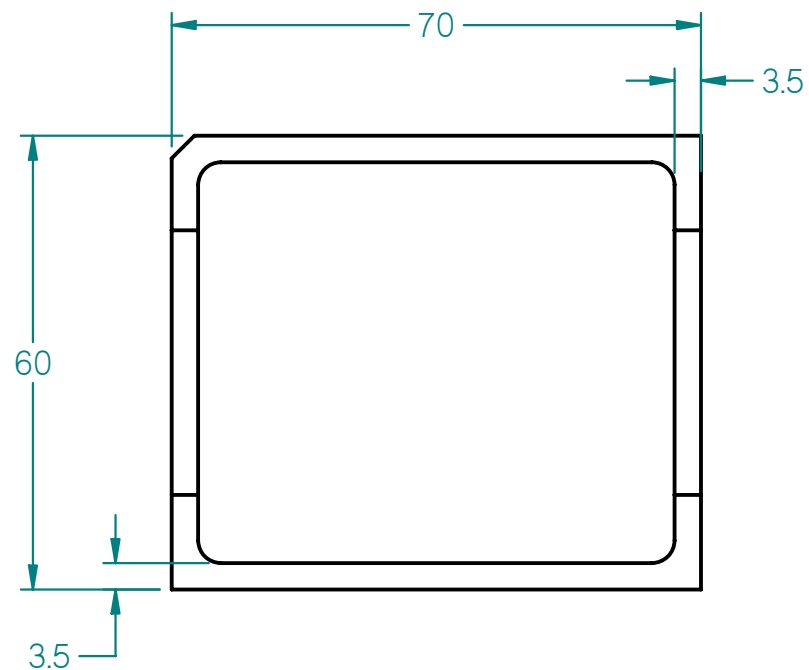
3

2

1

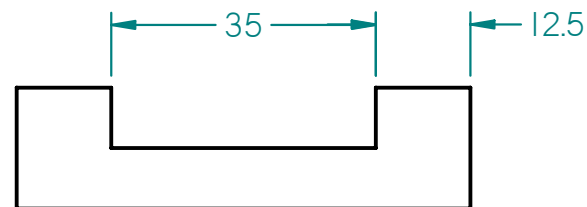
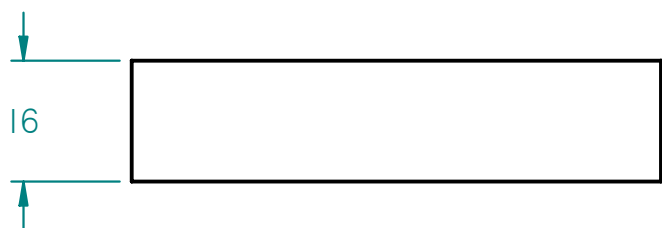
REVISION				
REV	BY	DESCRIPTION	DATE	APPD
000	HC	ORIGINAL	7/01	

D



C

B



- NOTES:
1. ALL DIMENSIONS ARE IN MILLIMETERS
  2. DIMENSIONING PER ANSI Y14.5M-1994
  3. POSITION MAY VARY BASED ON CHIP SIZE

A

MATERIAL SEE INDIVIDUAL PATR	TOLERANCES					DRAWN HANS	DATE 7/01/05	PROJECT/PRODUCT Heater module	TITLE Cover_0V50			
	X ±0.5	.X ±0.2	.XX ±0.10	.XXX ±0.020	ANGLE ±1°	DESIGNED HANS	DATE 7/01/05		CAD FILE	SCALE 1:1	SIZE A	SHEET 3 OF 3
FINISH SEE INDIVIDUAL PATR	UNLESS OTHERWISE SPECIFIED, ALL DIMENSIONS IN MILLIMETERS					CHECKED T. Fan	DATE 7/01/05					
SURFACE ROUGHNESS						DESIGN APPD	DATE					
 <b>HCP</b> HC PHOTONICS CORP.								PROPRIETARY INFORMATION NOT TO BE RELEASED WITHOUT WRITTEN AUTHORIZATION FROM HCP				