

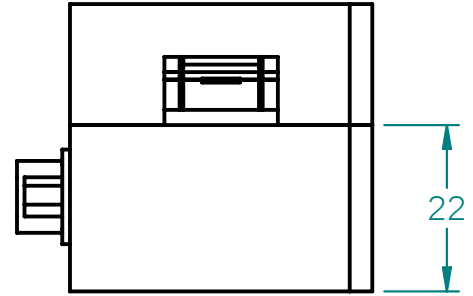
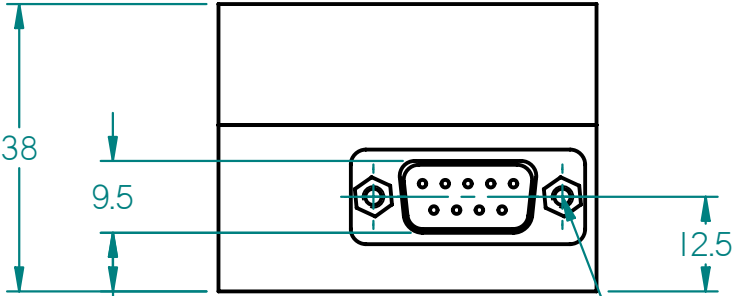
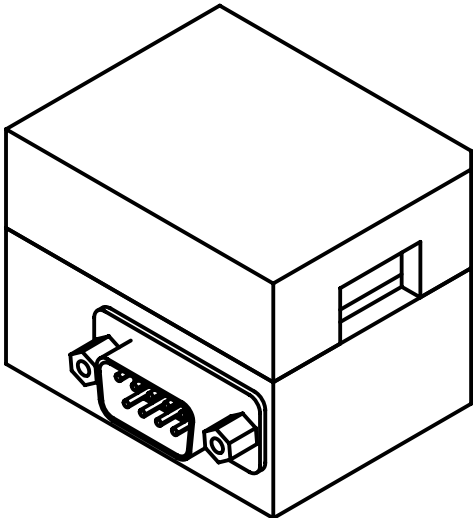
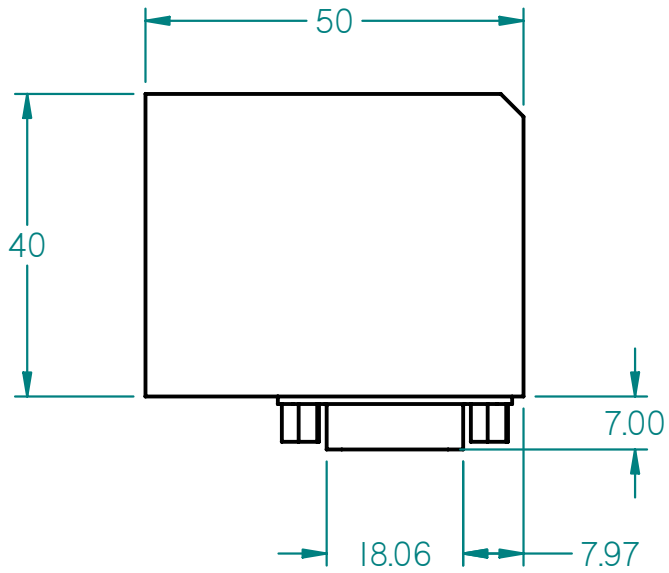
4

3

2

1

REVISION				
REV	BY	DESCRIPTION	DATE	APPD
000	DL	ORIGINAL	12/17/04	



2 X #4-40 UNC ∇ 2.00

NOTES:
 1. ALL DIMENSIONS ARE IN MILLIMETERS
 2. DIMENSIONING PER ANSI Y14.5M-1994

MATERIAL SEE INDIVIDUAL PATR	TOLERANCES					DRAWN DL Chang	DATE 12/17/04	PROJECT/PRODUCT HEATER MODULE	TITLE OV30_CD			
	X	.X	.XX	.XXX	ANGLE	DESIGNED DL Chang	DATE 12/17/04		CAD FILE	SCALE	SIZE	SHEET
FINISH SEE INDIVIDUAL PATR	*0.5	*0.2	*0.10	*0.020	*1°	CHECKED T. Fan	DATE 12/17/04	HCP HC PHOTONICS CORP.		I:1	A	1 OF 3
	UNLESS OTHERWISE SPECIFIED, ALL DIMENSIONS IN MILLIMETERS					DESIGN APPD	DATE		PROPRIETARY INFORMATION NOT TO BE RELEASED WITHOUT WRITTEN AUTHORIZATION FROM HCP			
SURFACE ROUGHNESS												

4

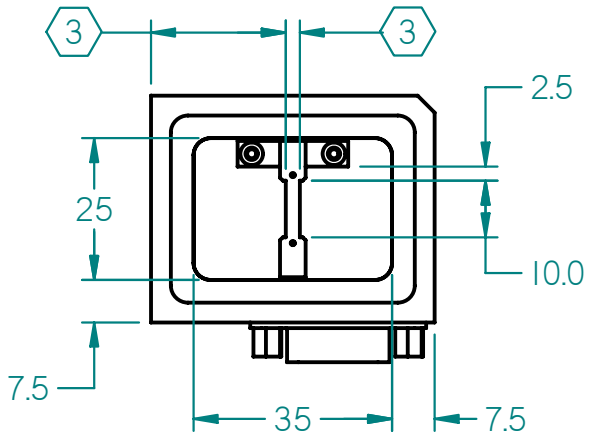
3

2

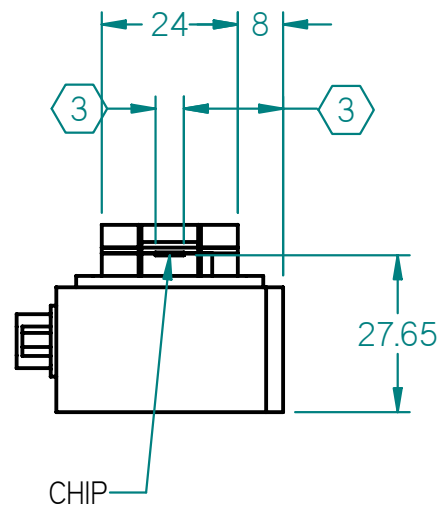
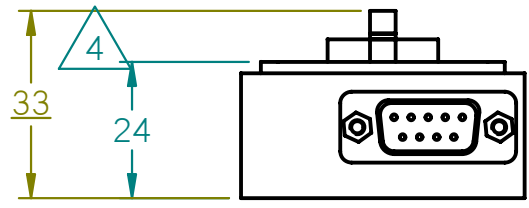
1

REVISION				
REV	BY	DESCRIPTION	DATE	APPD
000	DL	ORIGINAL	12/17/04	

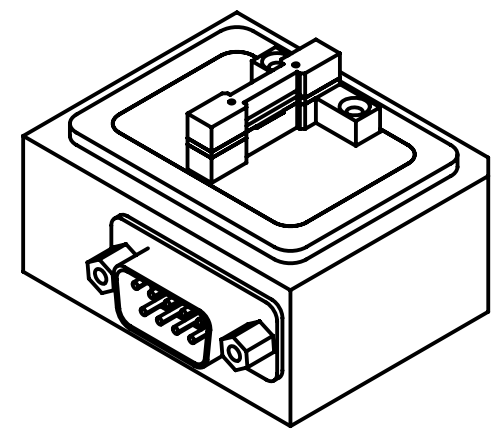
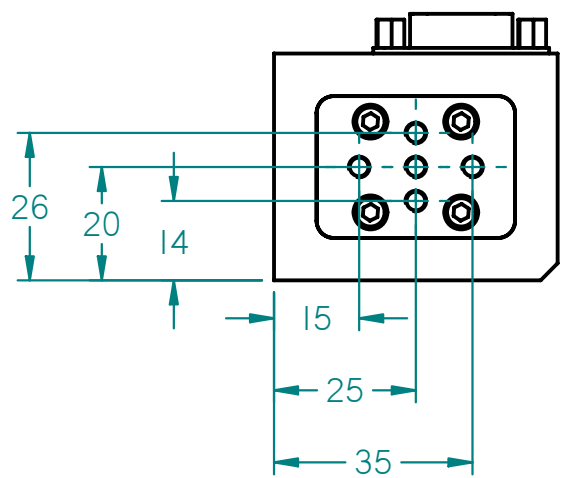
D



C



B



- NOTES:
1. ALL DIMENSIONS ARE IN MILLIMETERS
 2. DIMENSIONING PER ANSI Y14.5M-1994
 3. THE POCKET SIZE FOR LOCATING THE CHIP IS BASED ON THE CHIP SIZE

A

MATERIAL SEE INDIVIDUAL PATR	TOLERANCES					DRAWN DL Chang	DATE 12/17/04	PROJECT/PRODUCT HEATER MODULE	TITLE OV30_CD			
	X	.X	.XX	.XXX	ANGLE	DESIGNED DL Chang	DATE 12/17/04		CAD FILE	SCALE	SIZE	SHEET
FINISH SEE INDIVIDUAL PATR	*0.5	*0.2	*0.10	*0.020	*1°	CHECKED T. Fan	DATE 12/17/04	SCALE 1:1.33		SIZE A	SHEET 2 OF 3	DWG NO.
	UNLESS OTHERWISE SPECIFIED, ALL DIMENSIONS IN MILLIMETERS					DESIGN APPD	DATE		PROPRIETARY INFORMATION NOT TO BE RELEASED WITHOUT WRITTEN AUTHORIZATION FROM HCP			
SURFACE ROUGHNESS												



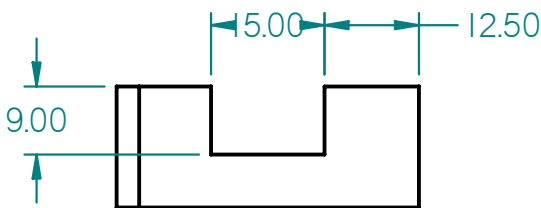
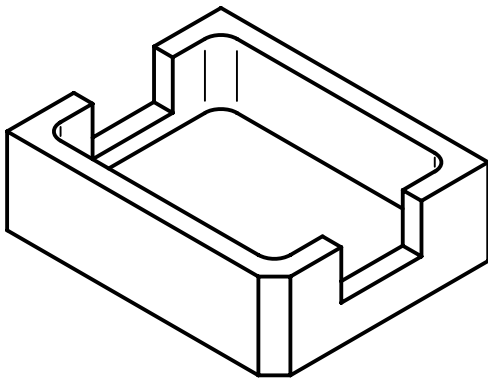
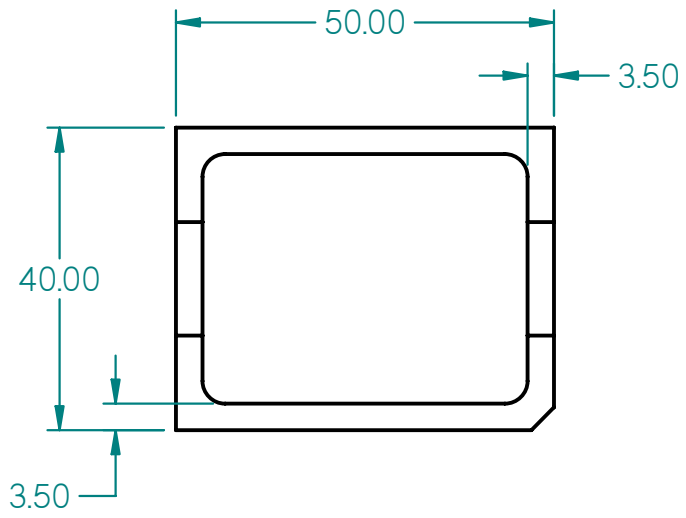
4

3

2

1

REVISION				
REV	BY	DESCRIPTION	DATE	APPD
000	DL	ORIGINAL	12/17/04	



- NOTES:
1. ALL DIMENSIONS ARE IN MILLIMETERS
 2. DIMENSIONING PER ANSI Y14.5M-1994
 3. POSITION MAY VARY BASED ON CHIP SIZE

MATERIAL	BLACK TEFLON					DRAWN DL Chang	DATE 12/17/04	PROJECT/PRODUCT HEATER MODULE	TITLE COVER_OV30_CD			
	FINISH CLEAN								DESIGNED DL Chang	DATE 12/17/04	CAD FILE	SCALE 1:1
TOLERANCES					UNLESS OTHERWISE SPECIFIED, ALL DIMENSIONS IN MILLIMETERS	CHECKED T. Fan	DATE 12/17/04	HCP HC PHOTONICS CORP.				
SURFACE ROUGHNESS						DESIGN APPD	DATE	PROPRIETARY INFORMATION NOT TO BE RELEASED WITHOUT WRITTEN AUTHORIZATION FROM HCP				