

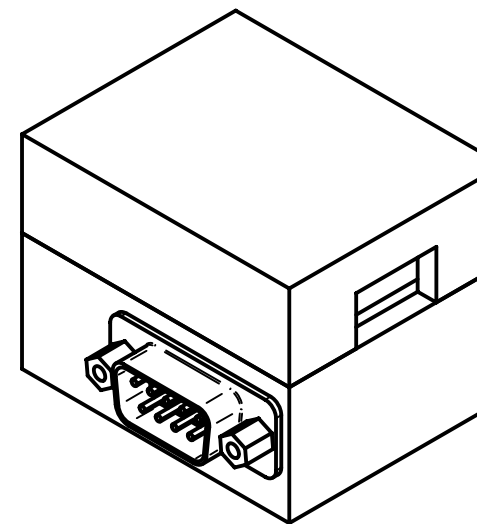
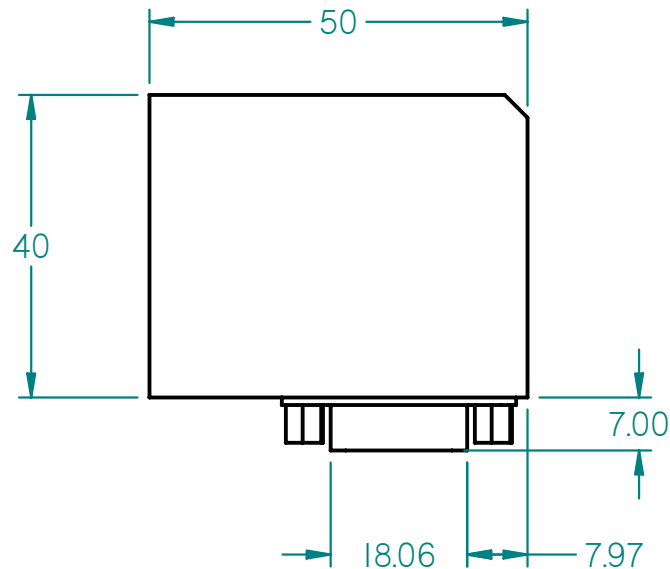
4

3

2

1

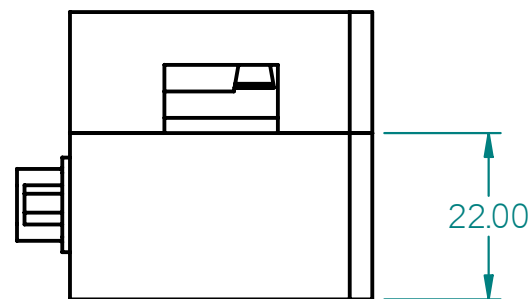
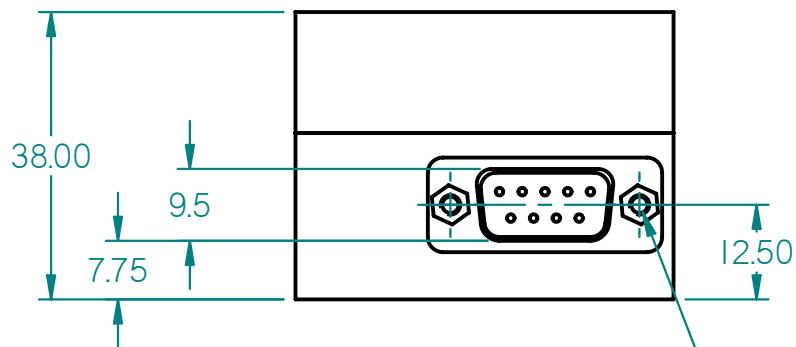
REVISION				
REV	BY	DESCRIPTION	DATE	APPD
000	DL	ORIGINAL	12/17/04	



D

C

B



2 X #4-40 UNC ∇ 2.00

- NOTES:
 1. ALL DIMENSIONS ARE IN MILLIMETERS
 2. DIMENSIONING PER ANSI Y14.5M-1994

A MATERIAL SEE INDIVIDUAL PATR	TOLERANCES					DRAWN DL Chang	DATE 12/17/04	PROJECT/PRODUCT HEATER MODULE	TITLE OV30			
	X	.X	.XX	.XXX	ANGLE	DESIGNED DL Chang	DATE 12/17/04		CAD FILE	SCALE	SIZE	SHEET
FINISH SEE INDIVIDUAL PATR	*0.5	*0.2	*0.10	*0.020	*1°	CHECKED T. Fan	DATE 12/17/04			I:1	A	1 OF 3
UNLESS OTHERWISE SPECIFIED, ALL DIMENSIONS IN MILLIMETERS					SURFACE ROUGHNESS	DESIGN APPD	DATE	 PROPRIETARY INFORMATION NOT TO BE RELEASED WITHOUT WRITTEN AUTHORIZATION FROM HCP				

4

3

2

1

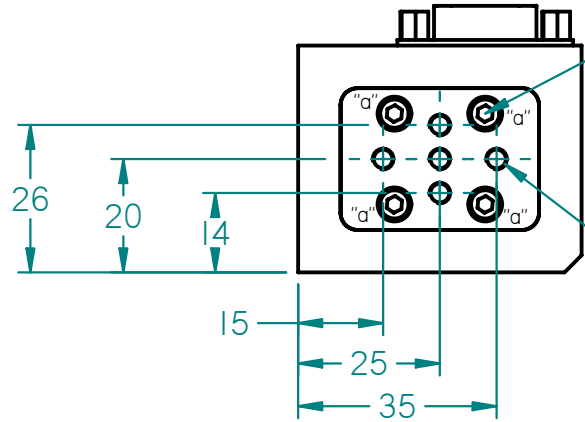
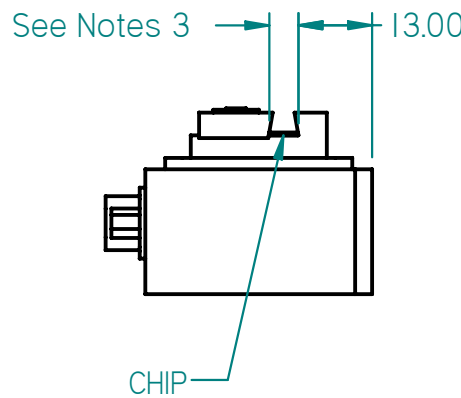
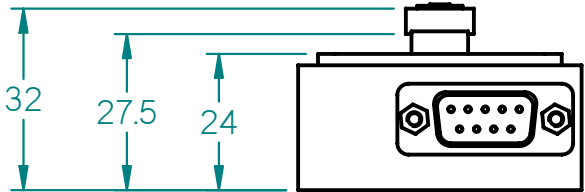
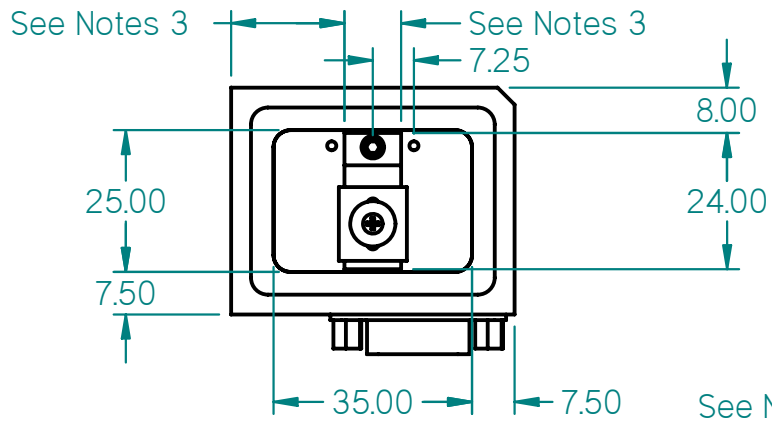
REVISION				
REV	BY	DESCRIPTION	DATE	APPD
000	DL	ORIGINAL	12/17/04	

D

C

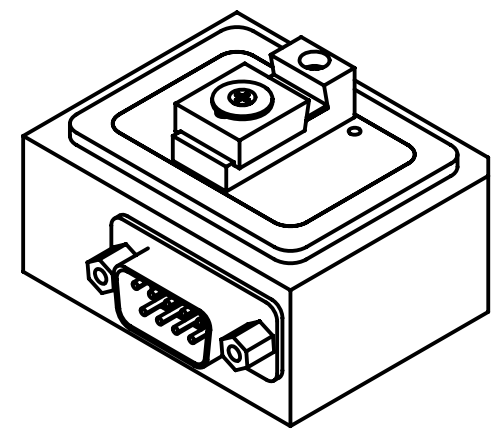
B

A



Caution: Don't release the 4 screws marked "a". They are for structure fixing.

5- M4 3.00 Thread Holes for User Mounting



- NOTES:
1. ALL DIMENSIONS ARE IN MILLIMETERS
 2. DIMENSIONING PER ANSI Y14.5M-1994
 3. THE POCKET SIZE FOR LOCATING THE CHIP IS BASED ON THE CHIP SIZE

MATERIAL
SEE INDIVIDUAL PATR

TOLERANCES				
X	.X	.XX	.XXX	ANGLE
±0.5	±0.2	±0.10	±0.020	±1°

UNLESS OTHERWISE SPECIFIED,
ALL DIMENSIONS IN MILLIMETERS

SURFACE ROUGHNESS

DRAWN	DL Chang	DATE	12/17/04
DESIGNED	DL Chang	DATE	12/17/04
CHECKED	T. Fan	DATE	12/17/04
DESIGN APPD		DATE	

PROPRIETARY INFORMATION NOT TO BE RELEASED WITHOUT WRITTEN AUTHORIZATION FROM HCP

PROJECT/PRODUCT	HEATER MODULE
CAD FILE	

TITLE			
OV30			
SCALE	SIZE	SHEET	DWG NO.
1:1.33	A	2 OF 3	

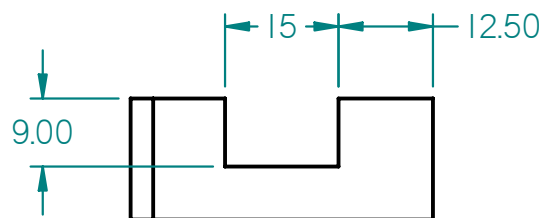
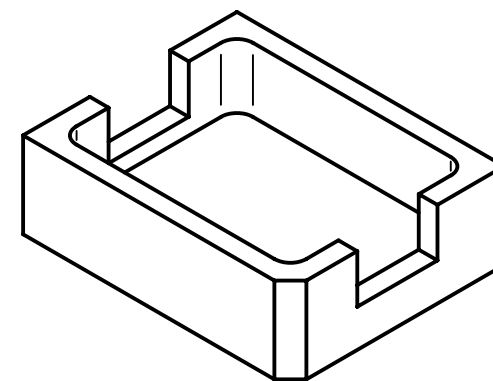
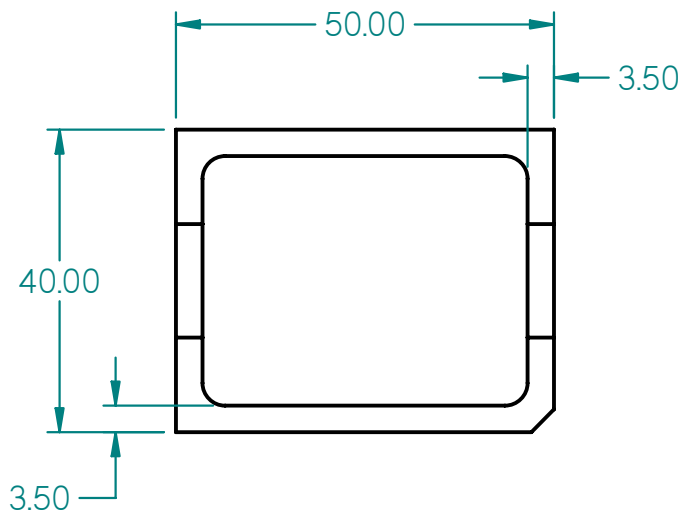
4

3

2

1

REVISION				
REV	BY	DESCRIPTION	DATE	APPD
000	DL	ORIGINAL	12/17/04	



- NOTES:
1. ALL DIMENSIONS ARE IN MILLIMETERS
 2. DIMENSIONING PER ANSI Y14.5M-1994
 3. POSITION MAY VARY BASED ON CHIP SIZE

MATERIAL	BLACK TEFLON					DRAWN DL Chang	DATE 12/17/04	PROJECT/PRODUCT HEATER MODULE	TITLE COVER_OV30			
	FINISH CLEAN								DESIGNED DL Chang	DATE 12/17/04	CAD FILE	SCALE 1:1
TOLERANCES					CHECKED T. Fan	DATE 12/17/04						
UNLESS OTHERWISE SPECIFIED, ALL DIMENSIONS IN MILLIMETERS					DESIGN APPD	DATE						PROPRIETARY INFORMATION NOT TO BE RELEASED WITHOUT WRITTEN AUTHORIZATION FROM HCP
SURFACE ROUGHNESS												